

Koolbreeze

Texan Dehumidifier

Model DKB100L



Product Introduction

Dehumidifiers can reduce air humidity in a room and thus make peoples lives more comfortable and ensure goods are stored properly. They are also widely used to dry buildings. Due to their neat appearance, compact configuration, high quality and easy operation, our dehumidifiers are widely used in research institutions, industry, transportation, medical centers, measuring institutions, stores, building construction, computer rooms, archives, warehouses, bathrooms, etc, Keeping apparatus, meters, computers, Communication equipments, drugs and files away from moisture, erosion and mildew.

Important Safety Instructions

Please read the instruction carefully before use.

Please make sure the power supply is 220-240V/50HZ

Please do not cut off the power by pulling the cord.

Please do not plug or unplug to startup or shut off the unit.

Please be careful when moving the unit do not tangle the wire.

Please do not put fingers or sticks into the grid

Please prohibit children from to climbing, standing or sitting on the unit

Please unplug the unit before cleaning or maintenance.

Notice: We suggest that any repairs should be executed by a professional serviceman.

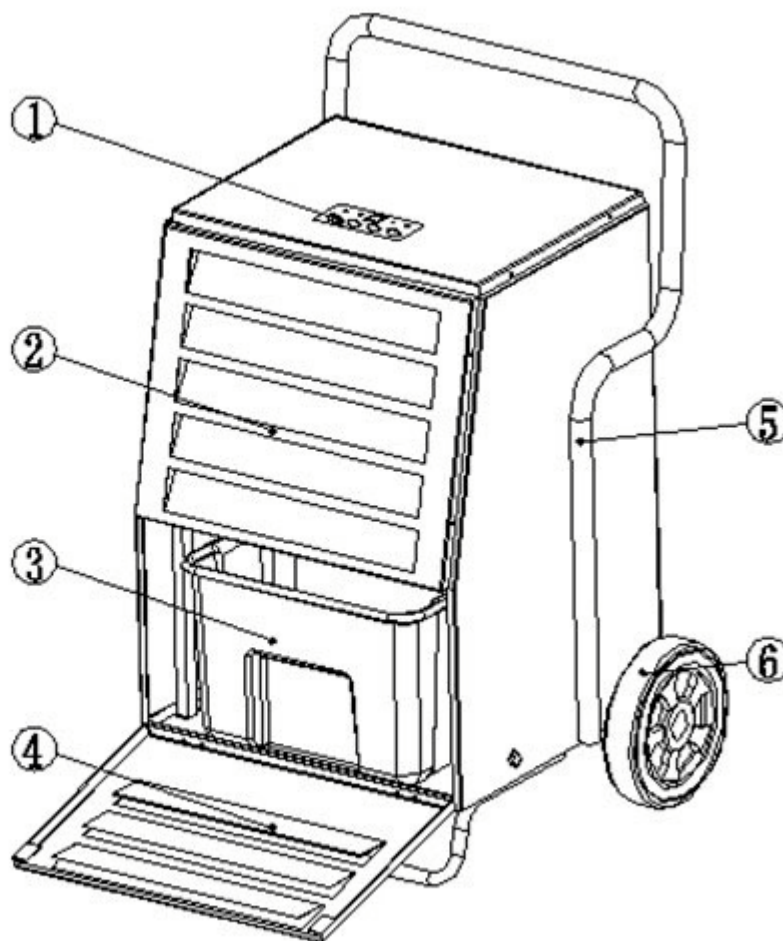
Please be sure the unit is well grounded.

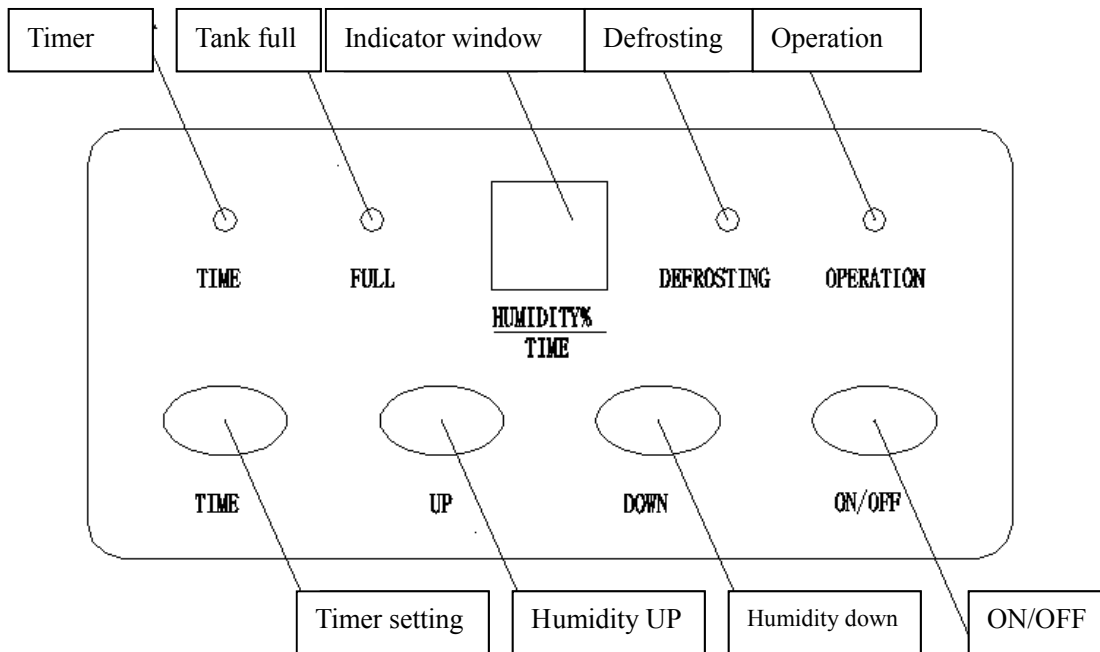
Please do not use the unit in airtight conditions.

Please follow the instructions thoroughly.

Product Features

Control panel
Filter grid
Water tank
Tank cover
Handle
Wheels





Instructions of keys:

- 1: ON/OFF, press ON/OFF, the unit runs in a circulation “ON-OFF-ON”.
- 2: Humidity up and down: press “humidity up or down” once and the set humidity will increase or decrease by 1%. Press the key for 1.5 seconds and the set value will increase or decrease by 1%. Pressing continuously will change the indicator 5 points per second.
- 3: Timer: press the timer key, the window will show “0” press the key again, it will show “1” Press continuously, it will show “2,3,4,...8” press again, it will be “0” Timer indicator will light if the timer function is on. The window will change to humidity indicator 5 seconds after the timer is set.

Starting the Unit

- 1: Plug in and turn on at the mains ; the unit gives off a “ding sound”
- 2: Press ON/OFF, the running indicator light comes on and the humidity display window light comes on. Initially it displays the previously set humidity, the initial humidity setting is 60% and 3 seconds later, the humidity display window lights to display the current humidity.
- 3: Press humidity up or down key to adjust the humidity needed, If the set humidity is 3% less than current the humidity, the unit runs, If the set humidity is 3% more than current humidity, the unit stops running.
- 4: If set humidity is less than 30%, the unit stops running.

Turning the Unit Off.

Press ON/OFF when the unit is running, the unit stops running and all indicators go off.

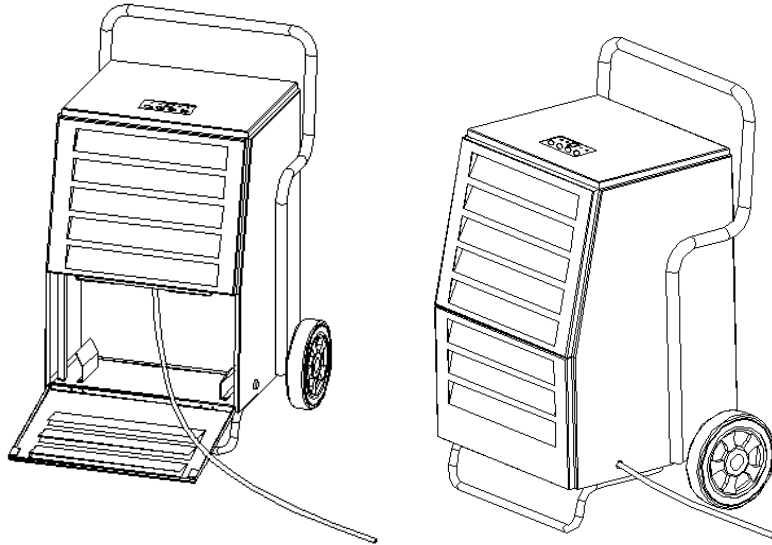
Caution:

- 1: when the set humidity is higher than current humidity, the unit will not run..
- 2: When the tank is full, the tank full indicator lights and the compressor and the fan motor shut off automatically, and the buzzer gives off a “ding ding” sound. This sound will last ten times. Only after emptying the tank the tank full indicator will the tank full light go off and the unit will run again when the ON/OFF is pressed.
- 3: When dehumidifying, the fan motor and compressor must be running at least for 3 minutes. Once the compressor starts, DO NOT restart the compressor again within 3 minutes of the unit shutting off. To do so can **cause severe damage** to the unit
- 4: When operating in low temperature, the unit judges the system temperature automatically to decide when to defrost. When defrosting, the defrosting indicator lights on, the fan motor runs but the compressor shuts off automatically.
- 5: The humidity display window shows humidity from 30% to 90%.
- 6: Keep the unit unplugged if not used for a long time

Water drainage

Drained water can be collected and eliminated in 2 ways:

- 1, Remove the cover from the tank . Take out the tank and empty it
2. For continuous drainage take out tank, connect a pipeline inside the drain compartment and thread it through the side panel of the unit to a suitable drain point (see diagram)



Notice about unit operation .

- 1: When moving the unit, do not tilt over 45° to avoid any damaging of the compressor, The tilt angle of compressor should be less than 5° when unit running. Ensure operation on a level surface.
- 2: the unit should be operated between 5° to 35°
- 3: When dehumidifying, because of the heat resulted from the running compressor, the indoor temperature will rise by 1° ~3° Such a reaction should be considered as normal.
- 4: When the indoor temperature is below 5° and the ambient absolute humidity is quite low, it is unnecessary to use the machine
- 5: Air inlet and air outlet should be at least 10cm away from the wall.
- 6: Try to keep the room closed to enhance the dehumidification effect.
- 7: Too much dirt to the filter affects dehumidification and may even result in a malfunction. Thus it should be cleaned once a month. If there is a great amount of powder in the air, the filter must be cleaned once a week, or even every day. Pull the front panel out and clean the filter. If necessary, You may lightly tap all over the surface of the filter., Use a vacuum cleaner to remove bigger pieces of dirt or even wash the filter in warm clean water($\leq 40\%$ with some neutral detergents) and then dry it.

Maintenance and Safety

Do not use any relay, prolonged wire or adaptor.



Otherwise, it might result in fire, radiation, or an electric shock.

Do not put the unit nearby stove or heater.

Otherwise parts of unit might melt down or even catch fire.



Do not use the unit in the direct sunshine, wind or rain.



In case of any other problems (for example smell of scorch), please shut off the unit and unplug it.



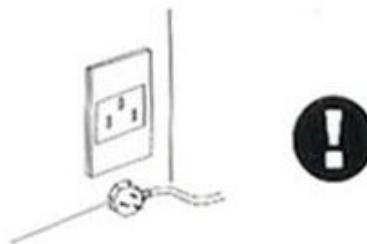
Otherwise, it might result in fire, electric shock or other malfunctions.

Do not use the unit in places easily affected by chemicals.



Strong chemicals might damage the unit and cause the leakage.

Please unplug the unit when not used for a long time.



When cleaning, shut off and unplug the unit.



Otherwise, it might result in an electric shock.

When draining continuously, put the drainer for smooth drainage.



If the ambient temperature is as low as freezing, do not drain continuously.

Do not repair or disconnect the unit yourself.



Otherwise it might result in fire or an electric shock.

Put the unit stably. If the unit turns over, the water will flow out from the tank and damage



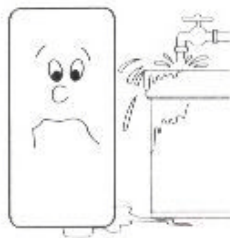
the objects nearby. Moreover, because of the damage, it might result in fire or an electric shock

Make the filter more durable.



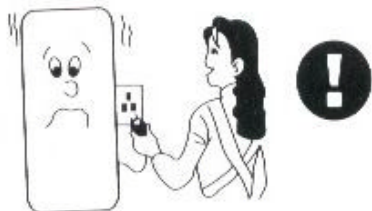
When off for a long time, seal the filter in a plastic bag.

Do not use the unit near water.



The unit might be damaged when soaked in water, so as to result in fire or electric shock.

Use the standard electric source of 220-240V/~50Hz.



Otherwise it might result in fire or electric shock.

Do not damage the wire.



Do not put anything heavy on the wire or heat or pull the wire. Otherwise it might result in fire or an electric shock.

Clean the dirt on the plug and fix it tightly.



If the plug is not fixed tightly, it might cause an electric shock.

Do not regard the plug as a switch.



Otherwise it might result in fire or an electric shock.

Trouble shooting

Malfunction	Analysis	Solution
Unit does not work	1: power cut 2: Switch off 3: unplugged 4: Fuse melted 5: tank full	1: power on 2: switch on 3: Plug on 4: Exchange fuse 5: Empty the tank and replace it.
Dehumidifies Inadequately	1: Filter blocked by dirt 2: Some barrier in air inlet or outlet 3: Door or windows open 4: Refrigerant leakage	1: clean the filter 2: Remove the barrier 3: Close the door and windows and seclude from sunshine 4: contact the manufacturer or seller.
Water leakage	1: the unit is inclined 2: Drainer blocked	1: Adjust the unit to be stable 2: pull out the panel and remove the barrier
Strange noise	1: unit instable 2: Filter blocked	1: place the unit stably 2: clean the filter.

1. When serious malfunctions occur and they could not be corrected, please contact the supplier or seller, do not disassemble the machine yourself.
2. When the unit starts or stops running, it makes certain noises of refrigerant circulation, which is normal.
3. Hot air coming from the air outlet is normal.

Instruction on malfunction codes

The unit analyzes malfunction automatically and displays the code on the humidity window.

Malfunction display	Problem
E1	Sensor of humidity
E2	Sensor of refrigeration pipeline

TECHNICAL SPECIFICATION

Model NAME		TEXAN
MODEL NUMBER		DKB100L
Dehumidifier capacity MAX (30°C/RH97)	L/24h	112
Dehumidifier capacity(30°C/RH90)	L/24h	98
Dehumidifier capacity(30°C/RH80)	L/24h	80
Operation Temperature range	C	5~35
Operation humidity range.	%	30~90
Air displacement	M3/h	550
Refrigerant name		R407C
Refrigerant weight	g	600
Water tank capacity	L	10
Rated power input	W	1100
Rated currancy	A	5.0
Voltage/Frequency	V/Hz	230/50
Noise level	dB(A)	<52
Products size	mm	435X410X554mm
Net weight	kg	39
Electric Cable length		1.8M